

COM

Low Carbon Steel,
Metal to Metal

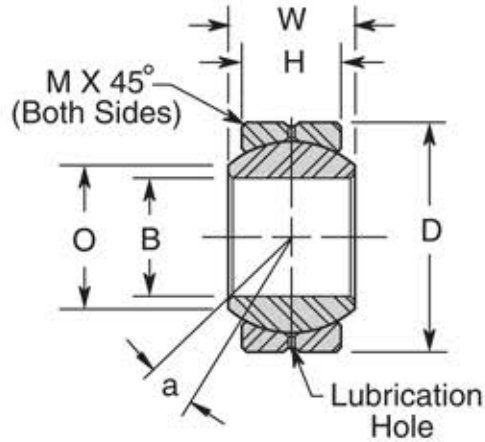
Material

Ball

- 52100 Steel
- Rc 56 Min.
- Hard Chrome Plated

Race

- Low Carbon Steel
- Oil Coated



COM CHART

Part Number	B	D	H	W	O	M	a°	Radial Static Load Capacity (Pounds)	Approx. Weight (Pounds)	
	+0.0015 -0.0005	+0.000 -0.0007	±.005	±.005	REF	REF				REF
	Ball Bore	Outside Diameter	Race Width	Ball Width	Ball Flat Diameter	O.D. Chamfer	Ball Diameter	Misalign Angle		
COM3	.1900	.5625	.218	.281	.293	.015	.406	11.3	3,250	.014
COM4	.2500	.6562	.250	.343	.364	.022	.500	13.3	4,950	.022
COM5	.3125	.7500	.281	.375	.419	.032	.562	11.8	6,475	.030
COM6	.3750	.8125	.312	.406	.515	.032	.656	9.8	8,400	.038
COM7	.4375	.9062	.343	.437	.530	.032	.687	9.6	10,200	.048
COM8	.5000	1.0000	.390	.500	.600	.032	.781	9.8	13,250	.065
COM10	.6250	1.1875	.500	.625	.739	.032	.968	9.1	21,280	.110
COM12	.7500	1.4375	.593	.750	.920	.044	1.187	9.2	31,920	.204
COM14	.8750	1.5625	.703	.875	.978	.044	1.312	9.4	41,960	.263
COM16	1.0000	1.7500	.797	1.000	1.118	.044	1.500	9.7	55,200	.386

Linking Motion
& Control...
The Tuthill
Solution



Product Selector Guide

- Rod Ends — Industrial/Commercial
- Rod Ends — Precision/Heavy Duty
- Spherical Bearings
- Ball Joints
- Swivels
- Clevises/Safety Fasteners/Pins



Building #21, Block 9299,
Tingwei Road, Jinshan District, Shanghai

168-2#,
Tingyi Road, Jinshan District, Shanghai, China

Tel 021-37214606 13916612486
Fax 021-37214610
E-mail lisa.tu@phidixglobal.com

www.mechanical-controlcable.com

COM

Low Carbon Steel,
Metal to Metal



Spherical Bearings

Our COM Series is our basic precision metal to metal offering within our line of spherical bearings used in non-rotational applications. This lower cost version is suitable for a wide variety of OEM and MRO applications requiring press fit installation on plate-mounted designs.

It features a steel (52100) ball that is thru hardened and hard chrome plated. Race is comprised of low carbon steel and oil coated after assembly. Our spherical bearing design ensures optimum ball to race conformity for prolonged wear life. A lubrication groove is provided on the raceway for applications requiring a grease zerk to be mounted into the housing. Optional PTFE lined race versions and custom sizes also available.



Description:

COM Spherical Bearings
Low Carbon Steel,
Metal to Metal

Applications:

Numerous plate-mounted, press fit bearing applications across a wide range of OEM and MRO markets, including:

- Industrial equipment
- Construction equipment
- Racing

Features:

- Suited for numerous non-rotational applications — for mounting into plates or shocks where room for attaching full rod ends is not available
- Metal to metal design provides for lower cost alternative
- Designed-in lubrication groove facilitates housing mounted grease zerks
- Can be used in a wide range of temperatures:
-65°F — 250°F
(-54°C — 121°C)

Other Related Products:

- COM-T Low Carbon Steel, PTFE Lined

Phidix

Linking Motion & Control...

The Tuthill Solution